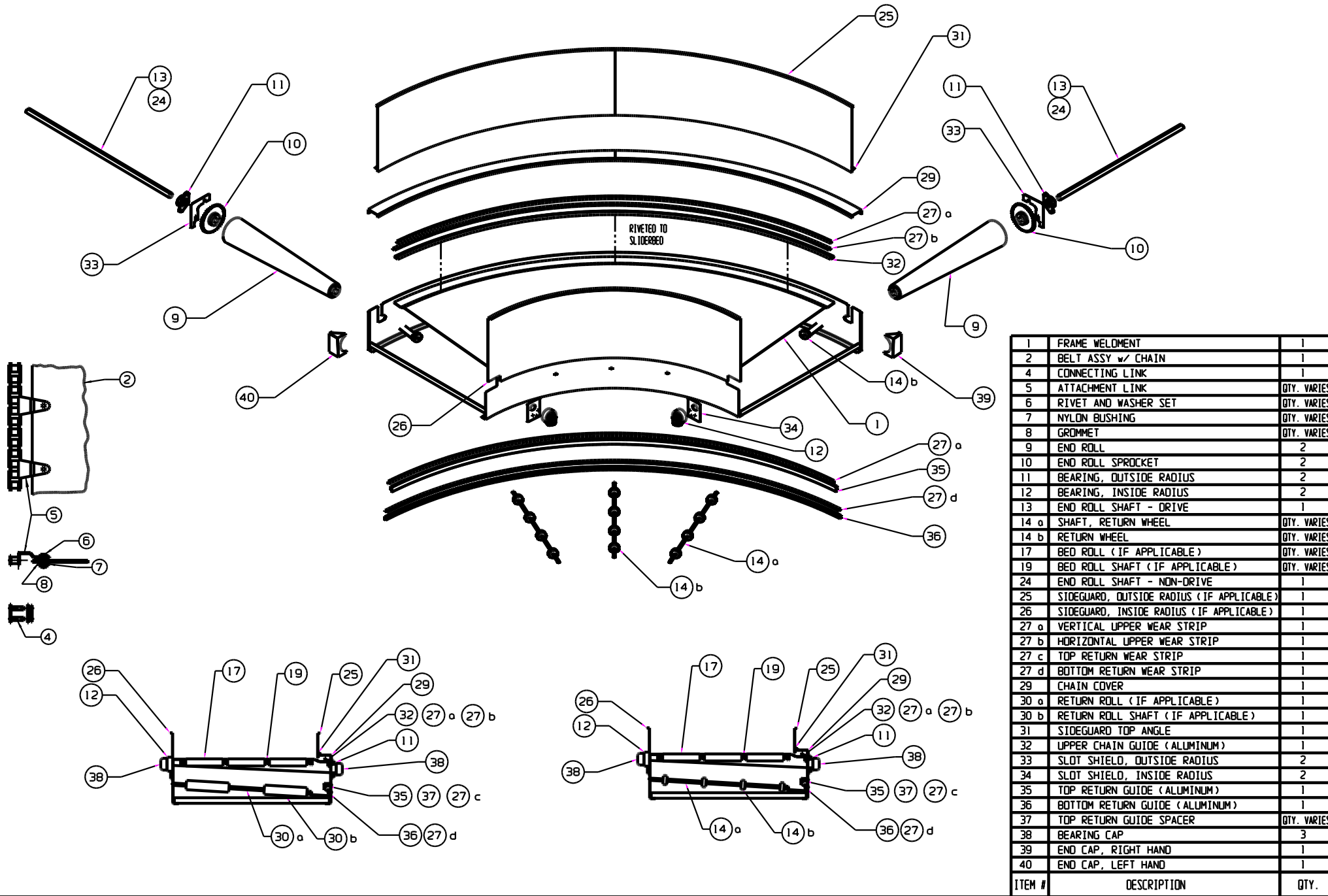


# SIGMA POWER TURN PARTS LIST



1	FRAME WELDMENT	1
2	BELT ASSY w/ CHAIN	1
4	CONNECTING LINK	1
5	ATTACHMENT LINK	QTY. VARIES
6	RIVET AND WASHER SET	QTY. VARIES
7	NYLON BUSHING	QTY. VARIES
8	GROMMET	QTY. VARIES
9	END ROLL	2
10	END ROLL SPROCKET	2
11	BEARING, OUTSIDE RADIUS	2
12	BEARING, INSIDE RADIUS	2
13	END ROLL SHAFT - DRIVE	1
14 a	SHAFT, RETURN WHEEL	QTY. VARIES
14 b	RETURN WHEEL	QTY. VARIES
17	BED ROLL ( IF APPLICABLE )	QTY. VARIES
19	BED ROLL SHAFT ( IF APPLICABLE )	QTY. VARIES
24	END ROLL SHAFT - NON-DRIVE	1
25	SIDEGUARD, OUTSIDE RADIUS ( IF APPLICABLE )	1
26	SIDEGUARD, INSIDE RADIUS ( IF APPLICABLE )	1
27 a	VERTICAL UPPER WEAR STRIP	1
27 b	HORIZONTAL UPPER WEAR STRIP	1
27 c	TOP RETURN WEAR STRIP	1
27 d	BOTTOM RETURN WEAR STRIP	1
29	CHAIN COVER	1
30 a	RETURN ROLL ( IF APPLICABLE )	1
30 b	RETURN ROLL SHAFT ( IF APPLICABLE )	1
31	SIDEGUARD TOP ANGLE	1
32	UPPER CHAIN GUIDE ( ALUMINUM )	1
33	SLOT SHIELD, OUTSIDE RADIUS	2
34	SLOT SHIELD, INSIDE RADIUS	2
35	TOP RETURN GUIDE ( ALUMINUM )	1
36	BOTTOM RETURN GUIDE ( ALUMINUM )	1
37	TOP RETURN GUIDE SPACER	QTY. VARIES
38	BEARING CAP	3
39	END CAP, RIGHT HAND	1
40	END CAP, LEFT HAND	1
ITEM #	DESCRIPTION	QTY.