

Z-TURN™

BELT POWER CURVES



SMALL • INSIDE • RADIUS • CURVE

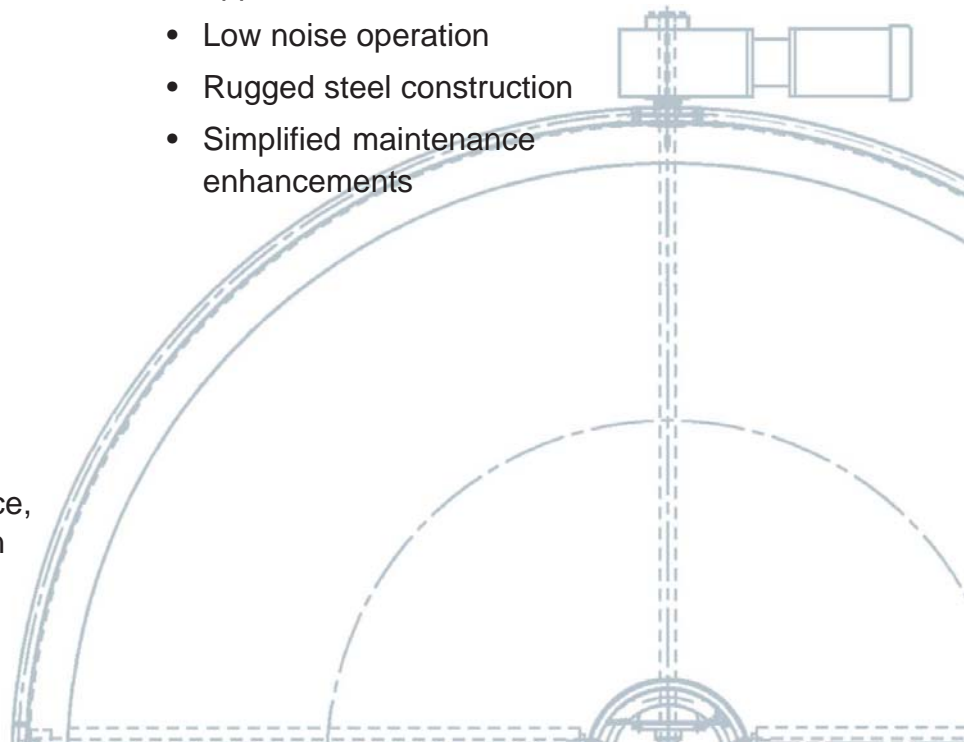


180 degree Belt Power Curve for Compact Spaces

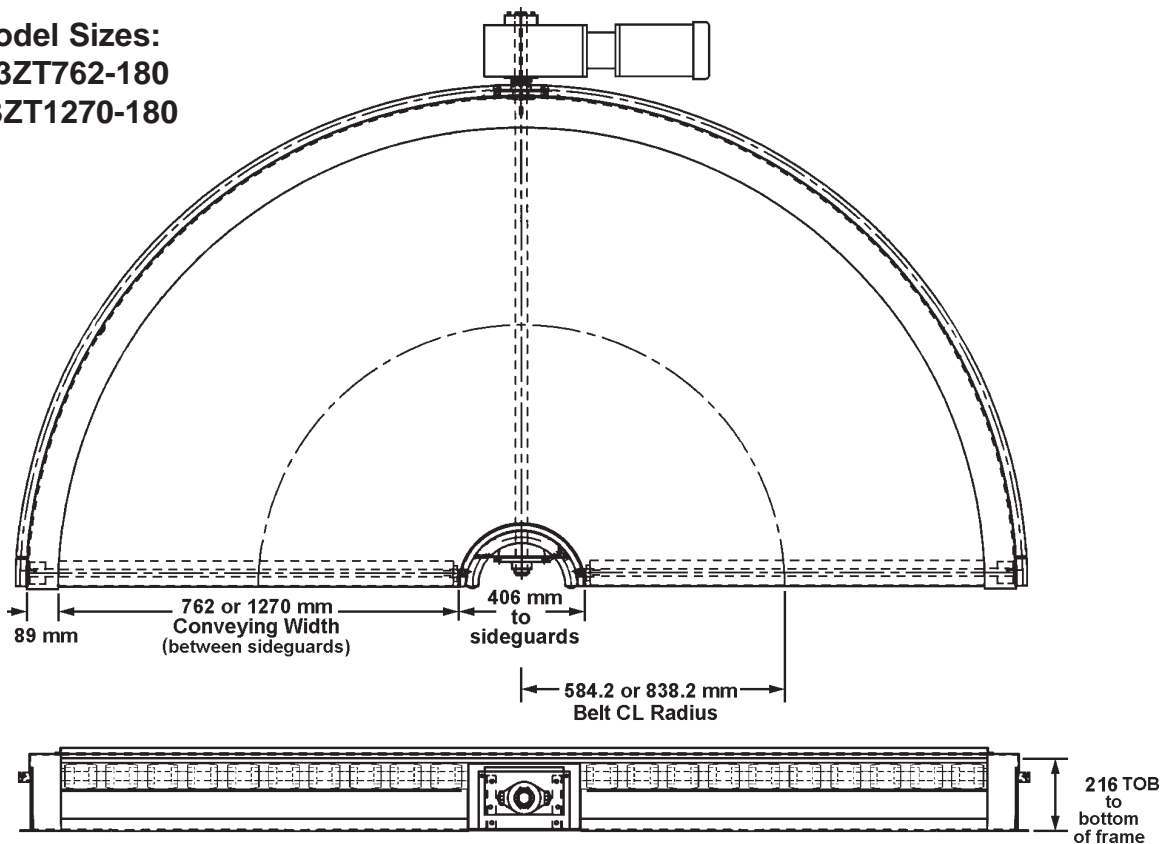
Proven Portec Technology

- Small inside radius for space-saving conveyor layout
- Cylindrical end rolls for outstanding product transfers
- Bi-directional operation
- Positive drive belt system means no end roll slip
- Low belt tension for long component life
- Custom designed for your specific application
- Low noise operation
- Rugged steel construction
- Simplified maintenance enhancements

Portec invented the Belt Power Curve over 50 years ago. With over 70,000 belt curves in service, we have the experience you can depend upon.



Model Sizes:
203ZT762-180
203ZT1270-180



Standard Features

Conveyor Drive system: A unique 16 tooth center sprocket (patent pending) drives a precision sidebow chain that is attached to the edge of the conveyor belt. The positive drive system both drives and tracks the belt. It is fully bi-directional and the drive can be mounted either on the inside or outside radius.

Belt drive chain: #50 sidebow steel chain with belt attachment links; design load 290 kg.; ultimate strength 2459 kg.; optional nickel plated chain for special applications

Conveyor belt: 2-ply Black PVC-OP belt is standard. A wide range of optional belt materials is available for special applications. Laced belt seams are standard for quick belt changes.

Frame construction: All-steel frame and slider bed.

Drive shaft: Turned, ground and polished 1045 or 1144 stress-proof steel

Drive shaft bearings: Precision, sealed for life, and fitted in a cast iron housing. Grease fitting for the self-aligning feature. Nickel-plated housings are available as an option.

End rolls: The 80 mm diameter segmented end rolls are cylindrical for outstanding product transfers.

Return wheels: Rubber tire-style return wheels have precision bearings for quiet operation and long life.

Paint: DTM (direct to metal) gloss white enamel paint. A wide range of optional colors and paint types are available.

Performance: Loads up to 60 kg./m and belt speeds up to .86 m/sec @ centerline.