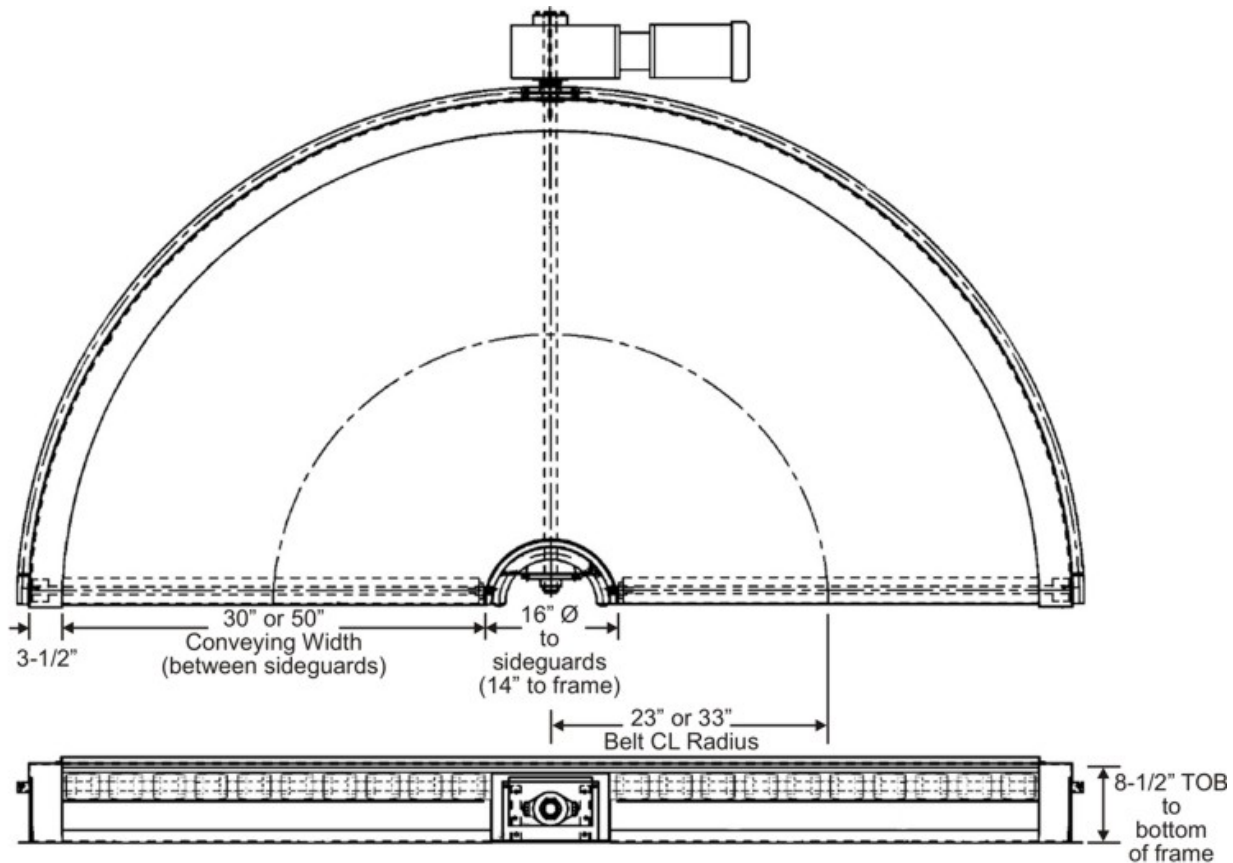


Z-Turn®
Compact 180° Curve
Technical Specifications



Standard Features:

Model Sizes:

8ZT30-180° (30" between sideguards)

8ZT50-180° (50" between sideguards)

Belt Material: Heavy duty black PVC-OP is standard. A wide range of optional belt materials is available. Laced belt seams are standard for quick belt changes.

Construction: All-steel frame and slider bed.

Construction: All-steel frame and slider bed.

Drive System: A unique center sprocket (patent pending) positive drive system is standard. It is fully bi-directional and the drive can be mounted either on the inside or outside radius.

End Rolls: The 3" diameter segmented end rolls are cylindrical for outstanding product transfers.

Return Rolls: Rubber tire-style return rollers have precision bearings for quiet operation and long life.

Paint: Air-dry DTM enamel in one of four standard colors or a wide range of optional colors.

Performance: Loads up to 40 lbs/ft. and belt speeds up to 170 fpm @ centerline.