

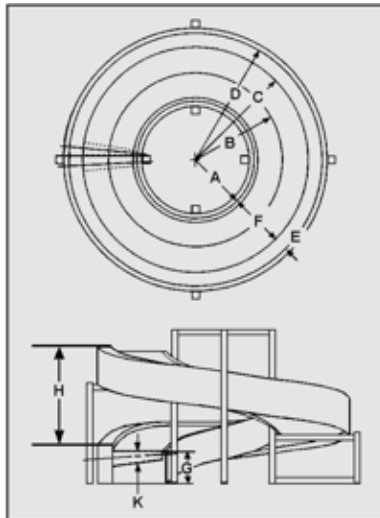
Portec Spiral-Lift Technical Specifications (Metric)

Positive Drive Belt System

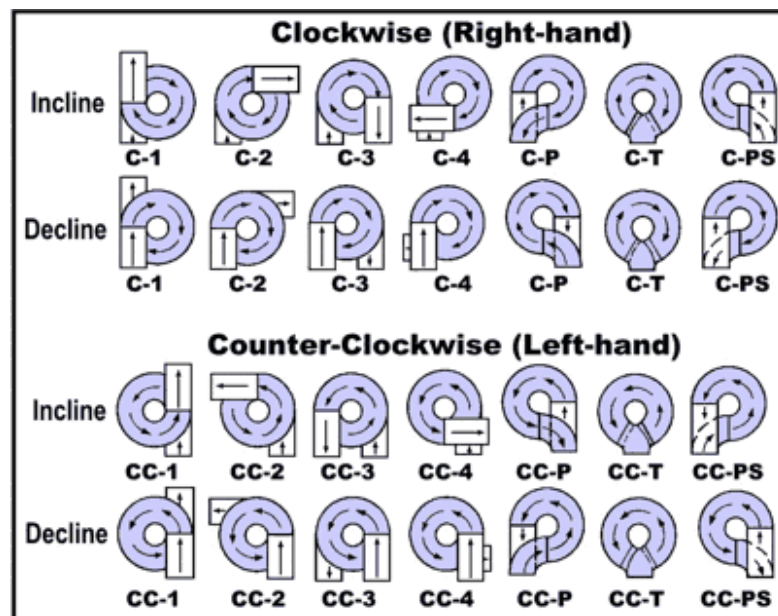
The conveyor belt is positively driven by a shaft mounted sprocket engaging a precision sidebow chain which is attached directly to the outside edge of the belt. This positive drive system is unaffected by changes in loading, tension, temperature, humidity, and foreign material on the belt. The Portec positive drive belt system ensures continuous, reliable operation even in harsh and difficult environments with minimal maintenance.

Standard Models

The list below is only a small example of the model sizes available from Portec. There are 6 standard family sizes of Spiral-Lift based upon the outside conveying radius (C) and a range of conveying widths (F). Any conveying width with the available range and having one of the 5 standard outside conveying radii, is considered a standard model. While Portec frequently designs and builds special radius Spiral-Lifts, the standard models represent the best value and shortest production lead-time.



Standard Model Configurations



Standard Model Sizes

Model Numbers	Constant Dimensions	Inside Radius A	Conveying Centerline B	Conveying Width F	End roll Dia.* K*	Gear-In 1 rpm = mm	Max. Elevation per 360° H
"LT" Spiral Curve Family (127-381 conveying width; standard 25 mm shaft Ø)							
573LM127SP	C-700 D-789 Frame Height=178	573	636.5	127	80.3	225	1220
522LM178SP		522	611	178	77.5	216	1220
319LM381ST		319	509.5	381	66.1	180.1	1220
"LN" Spiral Curve Family (178-483 conveying width; standard 25 mm shaft Ø)							
772LM178SP	C-950 D-1039 Frame Height=178	772	861	178	81.7	229.3	1524
620LM330SP		620	785	330	75.3	209	1524
467LM483SP		467	708.5	483	68.8	188.7	1524
"A" Spiral Curve Family (178-635 conveying width; standard 25 mm shaft Ø)							
1022M178SP	C-1200 D-1289 Frame Height=216	1022	1111	178	128.7	376.9	2642
717M483SP		717	958.5	483	112.2	325.2	2642
565M635SP		565	882.5	635	104	299.4	2032
"B" Spiral Curve Family (178-940 conveying width; standard 30 mm shaft Ø)							
1322M178SP	C-1500 D-1589 Frame Height=216	1322	1411	178	131.9	386.8	3251
1017M483SP		1017	1258.5	483	118.6	345	3251
814M686SP		814	1157	686	109.7	317.2	2642
560M940SP		560	1030	940	98.6	282.4	2032
"C" Spiral Curve Family (178-1000 conveying width; standard 35 mm shaft Ø)							
202M178SP	C-2200 D-2289 Frame Height=216	2022	2111	178	136	399.7	5080
161M584SP		1616	1908	584	123.7	360.9	5080
1362M838SP		1362	1781	838	116.1	337.3	4674
1200M1000SP		1200	1700	1000	111.2	321.9	4166
"HC" Spiral Curve Family (1001-1245 conveying width; standard 35 mm shaft Ø)							
1160HM1680SP	C-2200 D-2289 Frame Height=305	1160	1680	1040	158.8	471.3	3658
1110HM1655SP		1110	1655	1090	156.5	464.3	3658
955HM1245SP		955	1577.5	1245	149.6	442.6	3658
*End roll diameter at conveying centerline including belt thickness of 6.35 mm.							
Note: Conveying width (F) is equivalent to the "between sideguard" (BSG) width. The exposed belt width is approximately 25 mm narrower than the nominal conveying width (F). The outside radius frame, chain cover and both sideguards extend 9.5 mm past the true angle at both ends of the conveyor. The inside radius frame length matches the true angle.							